

1/4"

CLASSIC PERFORMANCE



PLASTIC MODELS:

NC-025 (Polypropylene/Geolast®)	5 lbs. (2,3 kg.)
NC-025E (Polypropylene/Santoprene®)	5 lbs. (2,3 kg.)
BK-025 (Polypropylene/PTFE)	5 lbs. (2,3 kg.)
RD-025 (Nylon/PTFE)	5 lbs. (2,3 kg.)
RD-025B (Nylon/Geolast®/PTFE)	5 lbs. (2,3 kg.)
CN-025 (Conductive Nylon/PTFE)	7 lbs. (3,2 kg.)
CN-025B (Conductive Nylon/Geolast®)	7 lbs. (3,2 kg.)
KN-025 (PVDF/PTFE)	7 lbs. (3,2 kg.)
KN-025E (PVDF/Santoprene®)	7 lbs. (3,2 kg.)

See page 4 for fastener and valve seat material.

SPECIFICATIONS:

Capacity:

Adjustable 0 to 4.3 GPM (16,3 liters/min.)

Maximum Temperature:

KN-025 Model 200°F (93°C)

Other Models 150°F (66°C)

Maximum Air Pressure:

All Models 100 PSI (6,8 bar)

Minimum Air Pressure:

All Models 20 PSI (1,3 bar)

Dry Lift:

All Models 17 ft. (5 meters)

Maximum Solids:

. 1/16" (1,6 mm)

Air Supply:

Inlet 1/4" NPT/BSP Female

Outlet 1/4" NPT/BSP Female

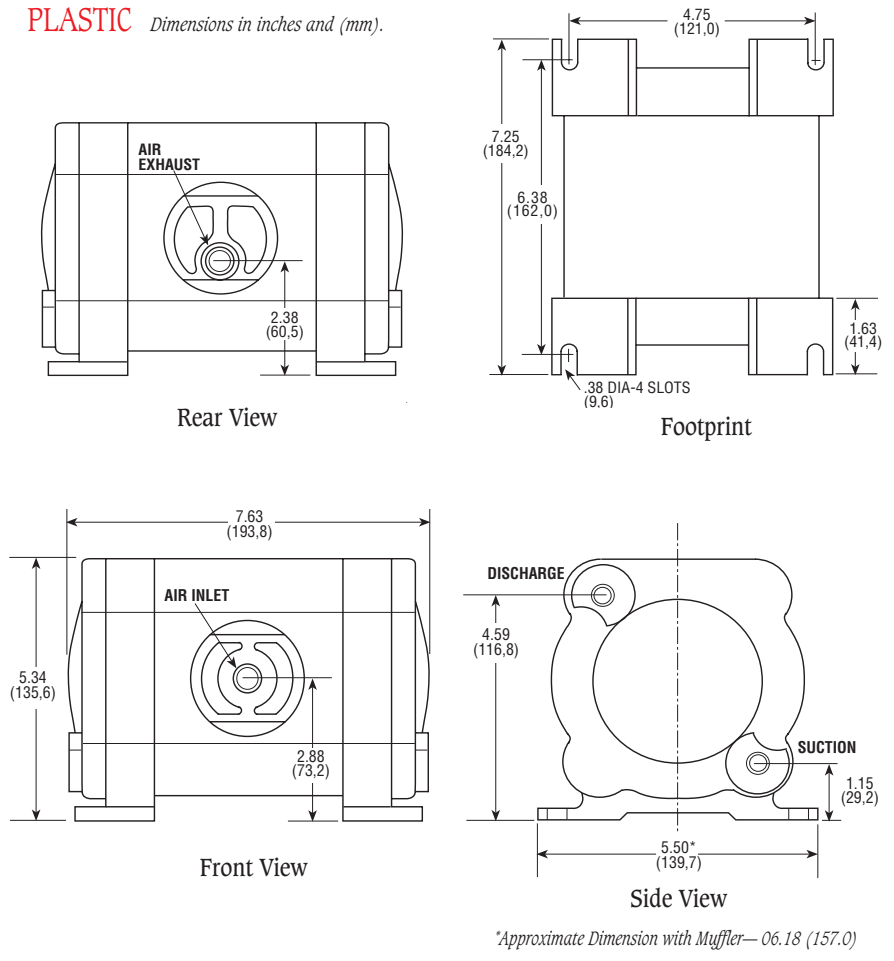
• Muffler supplied

Fluid Inlet/Discharge:

. 1/4" NPT/BSP Female

• For optional dual manifold inlet/outlet, add -P25 to Model No.

PLASTIC *Dimensions in inches and (mm).*



PERFORMANCE CURVE *(Based on water-flooded suction)*

