

PERFORMANCE PLUS

2"

NEW



PLASTIC MODELS:

- PB-20** (Polypropylene/Geolast®) 48 lbs. (21,7 kg.)
- PT-20** (Polypropylene/PTFE) 48 lbs. (21,7 kg.)
- PE-20** (Polypropylene/Santoprene®) 48 lbs. (21,7 kg.)
- KT-20** (PVDF/PTFE) 69 lbs. (31,3 kg.)
- KE-20** (PVDF/Santoprene®) 69 lbs. (31,3 kg.)

METALLIC MODELS:

- AB-20** (Aluminum/Geolast®) 61 lbs. (27,7 kg.)
- AE-20** (Aluminum/Santoprene®) 61 lbs. (27,7 kg.)
- AT-20** (Aluminum/PTFE) 61 lbs. (27,7 kg.)
- SP-20** (316 Stainless Steel/PTFE) 133 lbs. (60 kg.)
- SB-20** (316 Stainless/Geolast®) 133 lbs. (60 kg.)
- SE-20** (316 Stainless/Santoprene®) 133 lbs. (60 kg.)

See page 4 for fastener and valve seat material.

SPECIFICATIONS:

Capacity: Adjustable 0 to 180 GPM (681 liters/min.)

Maximum Temperature:
 KN-20 Model 200°F (93°C)
 Other Plastic Models 150°F (66°C)
 Metallic Models 200°F (93°C)

Maximum Air Pressure:
 All Models 120 PSI (8,2 bar)

Minimum Air Pressure:
 All Models 20 PSI (1,3 bar)

Dry Lift:
 Models w/PTFE balls 10 ft. (3 meters)
 Other Models 15 ft. (4,5 meters)

Maximum Solids: 1/4" (6,4 mm)

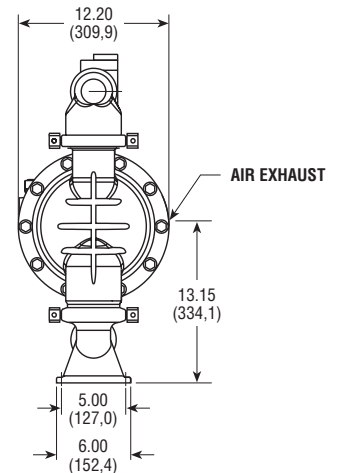
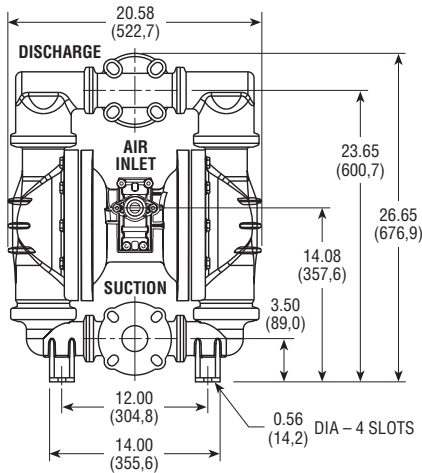
Air Supply:
 Inlet 3/4" NPT/BSP Female
 Outlet 3/4" NPT/BSP Female

• Muffler supplied

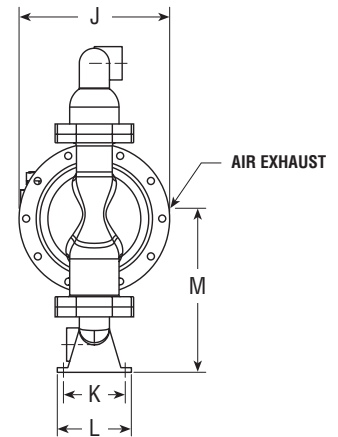
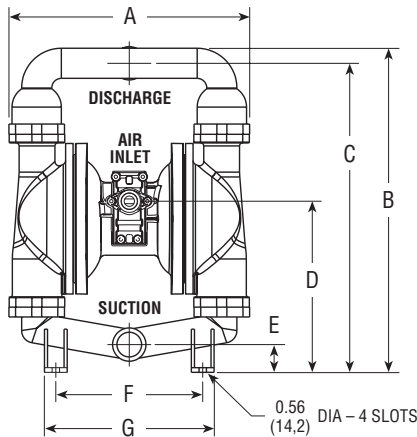
Fluid Inlet/Discharge: 2" (51mm) Flange

1. Plastic Pumps – ANSI and DIN flanges
- Threaded companion flanges available
2. Metal Pumps – 2" NPT threads standard
- 2" (51mm) BSP threads optional – Add -P15 to Model No.
3. Stainless Pump Option
- Tri-Clamp Fittings – Add -X44 to Model No.

PLASTIC Dimensions in inches and (mm).



METALLIC



| MODEL | DIMENSIONS Inches / (mm) | | | | | | | | | | |
|---------------------------------|--------------------------|---------------|---------------|---------------|-------------|---------------|---------------|---------------|--------------|--------------|---------------|
| SIZE (Inlet/Outlet) | A | B | C | D | E | F | G | J | K | L | M |
| 2" Aluminum NPT & BSP | 19.50 (495,0) | 26.26 (667,0) | 25.04 (636,0) | 13.86 (352,0) | 2.25 (57,1) | 10.06 (255,5) | 12.00 (304,8) | 12.20 (309,9) | 5.00 (127,0) | 6.00 (152,4) | 12.90 (327,6) |
| 2" Stainless Steel NPT & BSP | 19.50 (495,0) | 24.62 (625,3) | 23.00 (584,2) | 15.05 (382,3) | 3.50 (89,0) | 12.00 (304,8) | 13.85 (351,5) | 12.20 (309,9) | 5.00 (127,0) | 6.00 (152,4) | 14.10 (358,1) |
| Metal Flange Optional 2" Flange | 19.50 (495,0) | 24.62 (625,3) | 21.62 (549,2) | 13.25 (336,6) | 3.50 (89,0) | 12.00 (304,8) | 13.85 (351,5) | 11.88 (301,8) | 5.00 (127,0) | 6.00 (152,4) | 12.75 (324,0) |

PERFORMANCE CURVE

