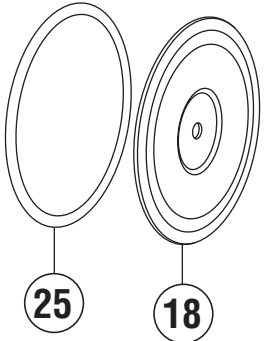


# 3/8" MODEL

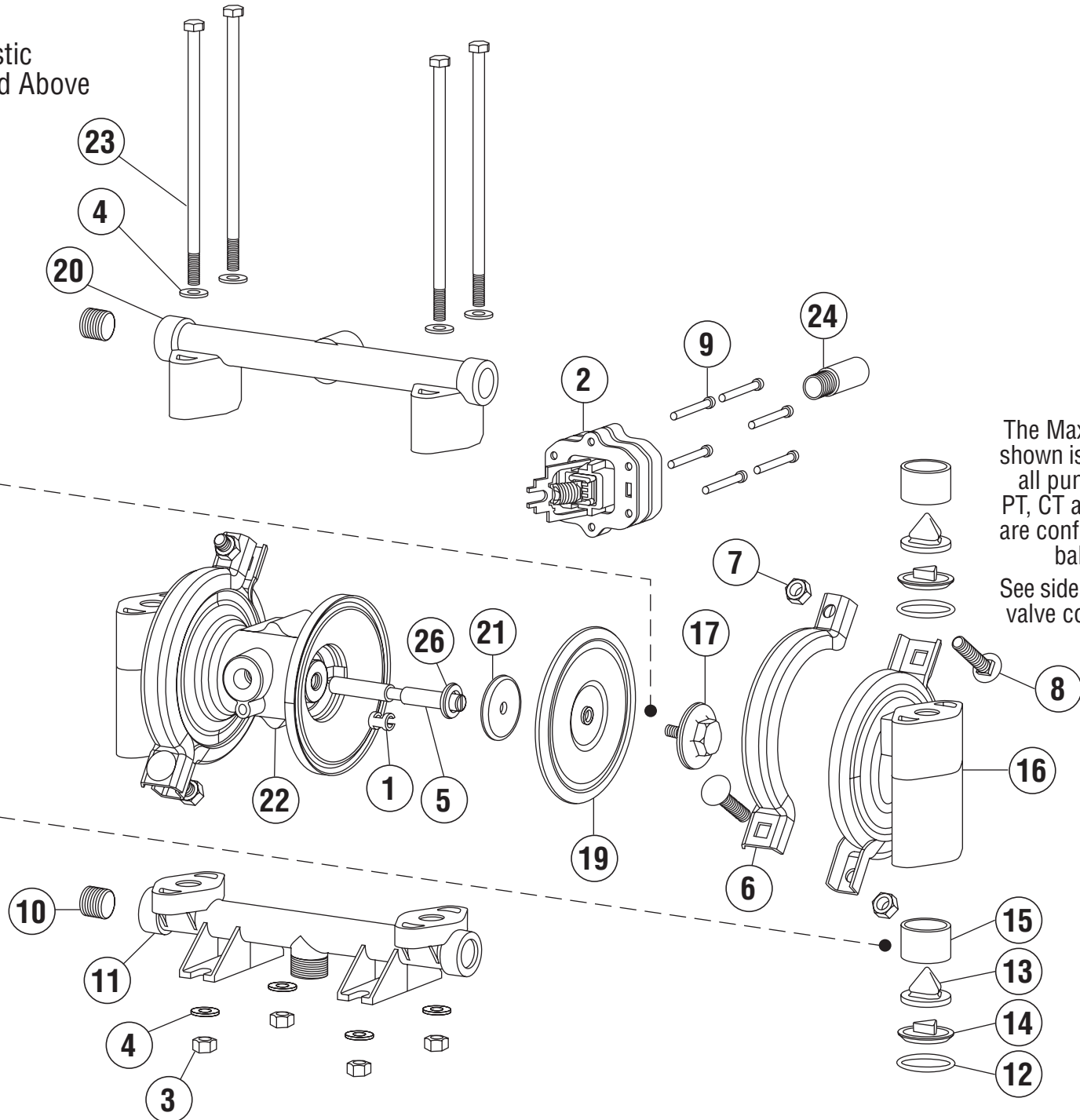
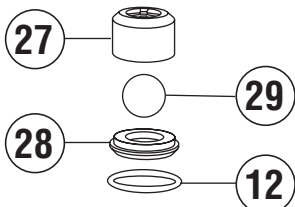
Specialty Performance Plastic  
Serial Numbers 128600 and Above

Diaphragm  
configuration for  
PT, CT and  
KT pumps.



PTFE Diaphragm  
requires O-ring.

Ball valve  
configuration  
for PT, CT and  
KT  
pumps.



The Max-Pass Valve  
shown is standard for  
all pumps-except  
PT, CT and KT which  
are configured with a  
ball valve.

See side panel for ball  
valve configuration.

ITEM	DESCRIPTION	QTY PER PUMP	MODELS	PART NO.	MATERIAL
1	Rod Guide	1	All	12807-31	Acetal
2	Air Valve Assembly	1	All	40380-54	Various
3	Hex Nut (1/4" x 20)	4	All	12600-26	SS
4	Flat Washer	8	All	12300-26	SS
5	Diaphragm Rod	1	All	10316-26	SS
6	Clamp (Complete with Fastners)	2	All	12913-26	SS
7	Hex Nut (5/16" - 18)	4	All	12601-26	SS
8	Carriage Bolt (5/16" x 1-1/2")	4	All	12509-26	SS
9	#8 x 1-3/4 Phillips Pan	6	All	12548-26	SS
10	Pipe Plug, 3/8" NPT	2	PB, PT, PE, PV CB, CT, CV KT, KE, KV	12206-40 12206-42 12206-56	Polypro Nylon PVDF
11	Suction Manifold	1	PB, PT, PE, PV CB, CT, CV KT, KE, KV	10570-40 10570-46 10570-56	Polypro Cond. Nylon PVDF
12	O-ring, Check Valve	4	PB, CB, PT, CT, KT PE, KE PV, CV, KV	11938-11 11938-17 11938-15 11938-82	Nitrile PTFE EPDM Viton
13	Max-Pass Valve	4	PB, CB, PE, KE PV, CV, KV	10915-11 10915-15 10915-82	Geolast EPDM Viton
14	Max-Pass Valve Backup	4	PB, PE, PV CB, CV KE, KV	10916-40 10916-46 10916-56	Polypro Cond. Nylon PVDF
15	Max-Pass Sleeve	4	PB, PE, PV CB, CV KE, KV	10917-40 10917-42 10917-56	Polypro Nylon PVDF
16	Outer Chamber	2	PB, PT, PE, PV CB, CT, CV KT, KE, KV	10701-40 10701-46 10701-56	Polypro Cond. Nylon PVDF
17	Outer Diaphragm Plate	2	PB, PT, PE, PV CB, CT, CV KT, KE, KV	11201-40 11201-46 11201-56	Polypro Cond. Nylon PVDF

ITEM	DESCRIPTION	QTY PER PUMP	MODELS	PART NO.	MATERIAL
18	Diaphragm	2	PT, CT, KT PV, CV, KV	11401-59	PTFE
19	Diaphragm	2	PB, CB, KB PE, KE	10601-19 10601-23	Geolast Santoprene
20	Discharge Manifold	1	PB, PT, PE, PV CB, CT, CV KT, KE, KV	10571-40 10571-46 10571-56	Polypro Cond. Nylon PVDF
21	Inner Diaphragm Plate	2	All	11101-25	PS
22	Intermediate	1	All	11503-60	Polypro
23	Cap Screw	4	All	12515-26	SS
24	Muffler	1	All	13008-00	Special
25	O-ring, Diaphragm	2	PT, CT, KT PV, CV, KV	11942-11	Nitrile
26	Lip Seal	2	All	12005-76	Nitrile
27	Ball Cage Check balls are standard in PT, KT and CT Pumps optional for other pumps	4	PT CT KT	10914-40 10914-46 10914-56	Polypro Cond. Nylon PVDF
28	Valve Seat Check balls are standard in PT, KT and CT Pumps optional for other pumps	4	PT CT KT	10913-40 10913-26 10913-56	Polypro SS PVDF
29	Ball Check balls are standard in PT, KT and CT Pumps optional for other pumps	4	PT, CT, KT	11000-45	PTFE

REPAIR KITS - WET END  
 Models CT, KT & PT include items 12, 18, 25, 28 & 29  
 Models PV, CV & KV include items 12, 13, 14, 19 & 25  
 Models PB, BC, PE & KE include items 12, 13, 14 & 19  
 To order a wet end repair kit, add "KIT to the pump model. e.g. PB-038 KIT

NOTES:

1. SS = Stainless Steel, PS = Plated Steel
2. Stock models (except PT, KT and CT models) are built with Max-Pass Valves and use items 13, 14, and 15.
3. PT, KT and CT pumps are not built with Max-Pass valves. These pumps have a stock Check Ball configuration