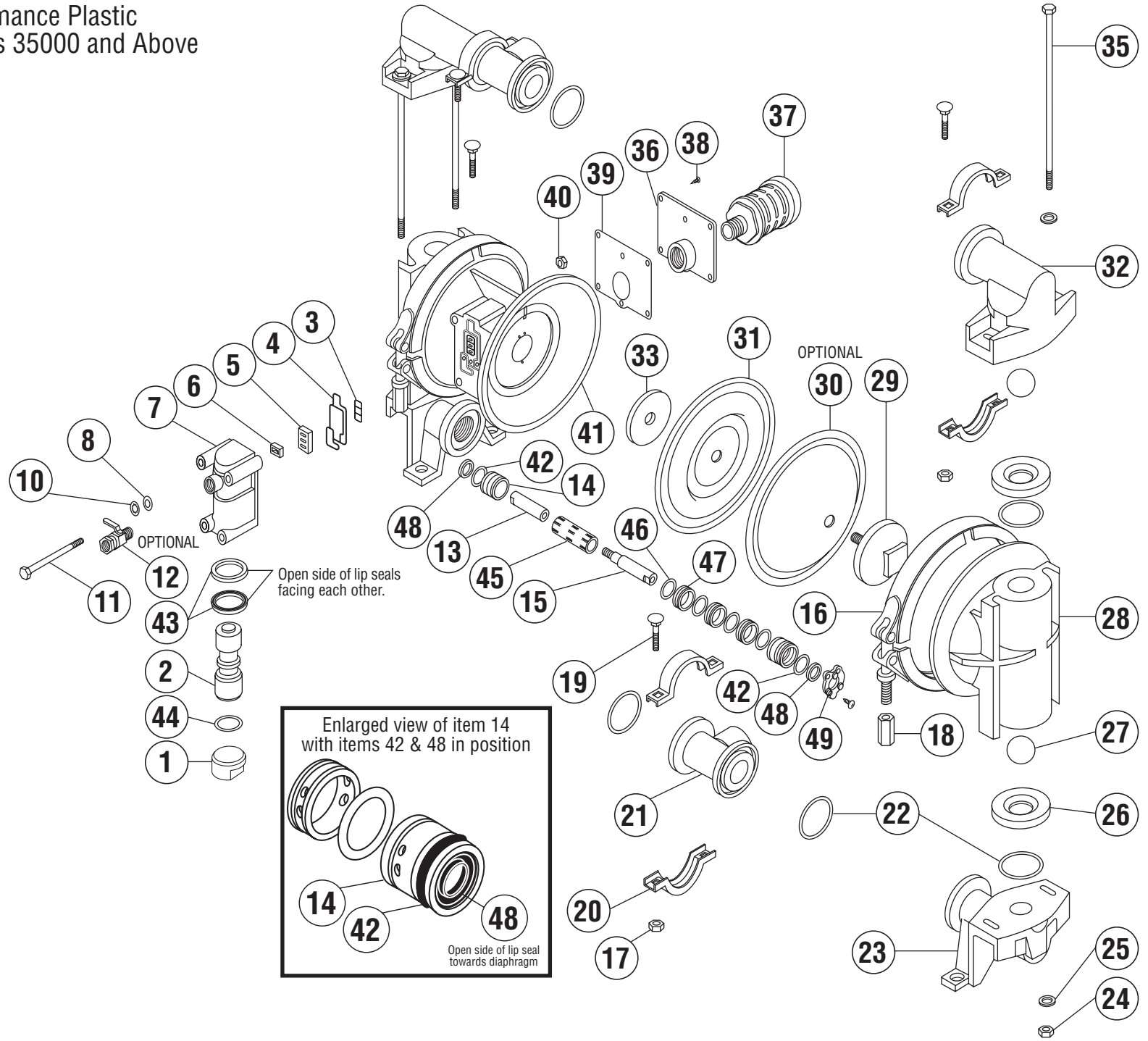


# 1" MODEL

Classic Performance Plastic  
Serial Numbers 35000 and Above



1" CLASSIC PERFORMANCE PLASTIC MODELS

NOVEMBER 2006

ITEM	DESCRIPTION	QTY PER PUMP	MODELS	PART NO.	MATERIAL
1	AIR VALVE END PLUG	1	NC, BK, KN RD	11703-60 11703-43	POLYPRO NYLON
2	AIR VALVE SPOOL	1	ALL MODELS	10407-31	ACETAL
3	GASKET, INNER	1	ALL MODELS	12103-11	NITRILE
4	GASKET, OUTER	1	ALL MODELS	12109-11	NITRILE
5	SHUTTLE PLATE	1	ALL MODELS	10403-77	CERAMIC
6	SHUTTLE	1	ALL MODELS	10409-00	SPECIAL
7	AIR VALVE BODY	1	NC, BK, KN RD	11608-60 11608-43	POLYPRO NYLON
8	FLAT WASHER	4	ALL MODELS	12300-26	SS
10	LOCK WASHER	4	ALL MODELS	12350-26	SS
11	CAP SCREW (1/4" X 5")	4	ALL MODELS	12512-26	SS
12	AIR FLOW CONTROL VALVE (Optional)	1	NPT PORTS BSP PORTS	13400-30 13408-51	BRASS PVC
13	DIAPHRAGM ROD, SHORT	1	ALL MODELS	*	SS
14	END SPACER, PILOT SLEEVE	2	ALL MODELS	10204-40	POLYPRO
15	DIAPHRAGM ROD, LONG	1	ALL MODELS	*	SS
16	CLAMP, CHAMBER (Complete with fasteners)	2	ALL MODELS	12902-26	SS
17	HEX NUT (5/16" - 18)	8	ALL MODELS	12601-26	SS
18	HEX NUT ( 3/8" - 16 X .625")	2	ALL MODELS	12605-26	SS
19	CARRIAGE BOLT (5/16" X 1-1/2")	8	ALL MODELS	12509-26	SS
20	CLAMP, MANIFOLD (Complete with fasteners)	4	ALL MODELS	12903-26	SS
21	MANIFOLD, NPT THREADS	2	NC, BK RD KN	10506-57 10506-47 10506-56	POLYPRO NYLON PVDF
	MANIFOLD, BSP THREADS	OPT	NC, BK RD KN	10509-57 10509-47 10509-56	POLYPRO NYLON PVDF
22	O-RING, MANIFOLD	8	NC, RD-B BK, RD BK-E, RD-E BK-V, RD-V KN KN-E KN-V	11910-11 11910-17 11910-15 11910-13 11912-17 11912-15 11912-13	NITRILE PTFE EPDM VITON PTFE EPDM VITON
23	SUCTION ELBOW	2	NC, BK RD KN	10801-57 10801-47 10801-56	POLYPRO NYLON PVDF
24	HEX NUT ( 3/8" - 16)	4	ALL MODELS	12602-26	SS
25	FLAT WASHER	8	ALL MODELS	12303-26	SS
26	VALVE SEAT	4	NC, BK RD KN	10901-57 10901-47 10901-56	POLYPRO NYLON PVDF
		OPT	ALL MODELS	10901-26	316 SS
27	BALL	4	NC, RD-B BK, RD, KN BK-E, RD-E, KN-E BK-V, RD-V, KN-V	11002-11 11002-45 11002-23 11002-13	GEOLAST PTFE SANTO VITON
	HEAVY WEIGHT	OPT	HIGH VISCOSITY ALL MODELS	11002-22 11002-26	NITRILE SS

ITEM	DESCRIPTION	QTY PER PUMP	MODELS	PART NO.	MATERIAL
28	OUTER CHAMBER	2	NC, BK RD KN	10702-57 10702-47 10702-56	POLYPRO NYLON PVDF
29	OUTER DIAPHRAGM PLATE	2	NC, BK RD KN	11204-57 11204-47 11204-56	POLYPRO NYLON PVDF
30	OVERLAY	2	BK, RD, KN	11406-59	PTFE
31	DIAPHRAGM	2	NC, RD-B BK, RD, KN BK-E, RD-E, KN-E BK-V, RD-V, KN-V	10605-19 10605-23 10605-23 10605-13	GEOLAST SANTO SANTO VITON
	BONDED ONE PIECE	OPT	ALL MODELS	10609-36	SAN/PTFE
32	DISCHARGE ELBOW	2	NC, BK RD KN	11301-57 11301-47 11301-56	POLYPRO NYLON PVDF
33	INNER DIAPHRAGM PLATE	2	ALL MODELS	11104-25	PS
35	CAP SCREW (3/8" X 9 - 1/2")	4	ALL MODELS	12508-26	SS
36	MUFFLER PLATE	1	NC, BK, KN RD	13102-60 13102-43	POLYPRO NYLON
37	EXTERNAL MUFFLER	1	ALL MODELS	13007-00	SPECIAL
38	SCREW (#6 X 1/2")	12	ALL MODELS	12510-26	SS
39	GASKET, MUFFLER PLATE	1	ALL MODELS	12102-10	FIBER
40	HEX NUT (1/4" - 20)	4	ALL MODELS	12600-26	SS
41	INTERMEDIATE	1	NC, BK, KN RD	11517-60 11517-43	POLYPRO NYLON
42	O-RING, END SPACER	2	ALL MODELS	11923-11	NITRILE
43	AIR VALVE LIP SEAL	2	ALL MODELS	12003-76	NITRILE
44	O-RING, VALVE PLUG	1	ALL MODELS	11913-11	NITRILE
45	PILOT SLEEVE	1	ALL MODELS	10105-31	ACETAL
46	O-RING, PILOT SLEEVE	4	ALL MODELS	11920-16	URETHANE
47	INNER SPACER, PILOT SLEEVE	3	ALL MODELS	10203-40	POLYPRO
48	LIP SEAL, DIAPHRAGM ROD	2	ALL MODELS	12000-76	NITRILE
49	RETAINING PLATE	2	ALL MODELS	12708-40	POLYPRO

\* DIAPHRAGM ROD AVAILABLE ONLY AS AN ASSEMBLY

DIAPHRAGM ROD ASSEMBLY	1	ALL MODELS	32000-00	SS
Includes items 13 & 15				

OPTIONAL ASSEMBLIES AVAILABLE

AIR VALVE ASSEMBLY	1	NC, BK, KN RD	40000-60 40000-43	POLYPRO NYLON
Includes items 1 thru 7,43,44				

PILOT SLEEVE ASSEMBLY	1	ALL MODELS	41000-00	VARIOUS
Includes items 14,42,45,46,47,48				

REPAIR KITS - WET END

Includes items 22, 26, 27, 31 & (30 - Used in pumps built w/ PTFE)  
To order a wet end repair kit, add "KIT" to the pump model. e.g. NC-10 KIT

NOTES:

1. PS = PLATED STEEL, SS = STAINLESS STEEL